



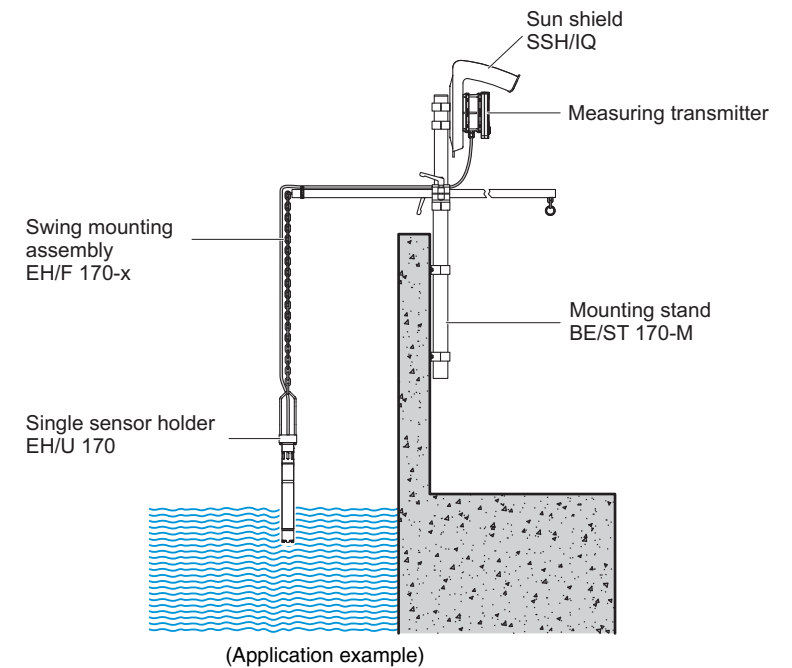
a xylem brand



a xylem brand

Installation Instructions

BE/ST 170-M

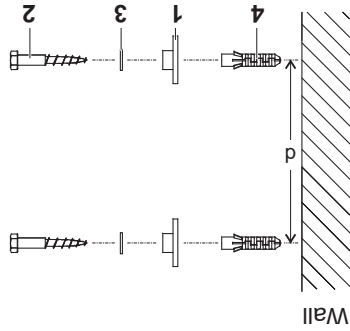


Vario wall mounting stand

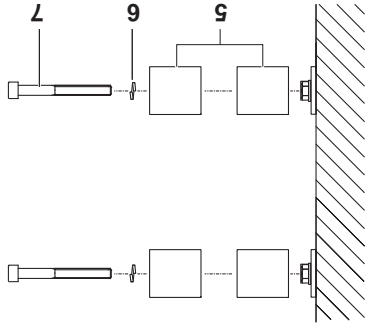
1725 Brannum Lane
Yellow Springs, Ohio 45387 USA
+1 937-767-7241
800-765-4974 (US)
FAX (937) 767-1058
Email: environmental@ysi.com
Internet: www.ysi.com

Assembly

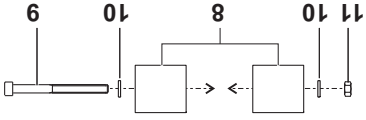
Fix the weld-on-plates (1) to the wall with the dowels according to the drawing. Keep the distance d between the weld-on-plates as large as possible.

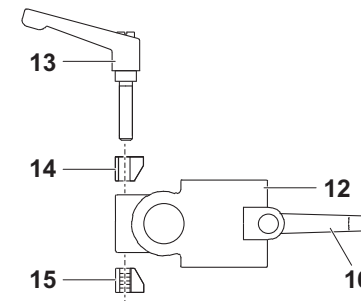


Loosely screw the aluminum clamp bodies (5) to the weld-on-plates according to drawing.



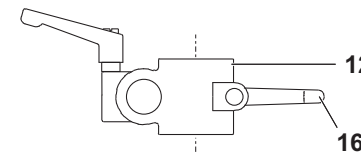
Loosely screw together two plastic clamp bodies (8) to form a holding clamp according to the drawing.



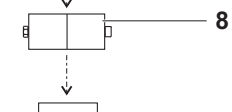


Preassemble the cross-clamping unit (12) according to the drawing.

Note: For the installation of additional swing mounting assemblies EH/F 170-x, additional cross-clamping units (separately available as MS/KK 170, order-no. 109 290) may be installed. The explosion protection properties are thereby preserved.



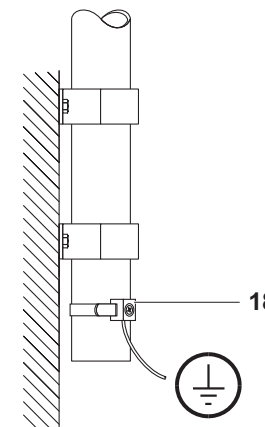
Slide the preassembled holding clamp (8) over the pipe (17) and tighten it where the cross-clamping unit is to be positioned.



Slide the cross-clamping unit (12) over the pipe up to the holding clamp and fix it with the lever (16).

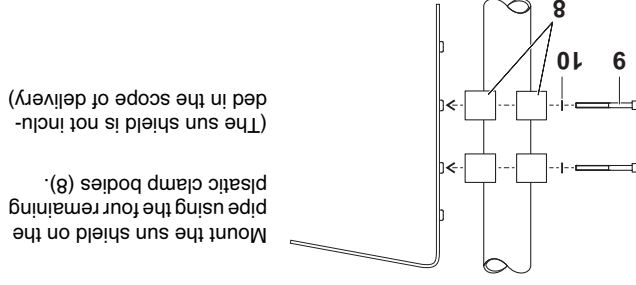
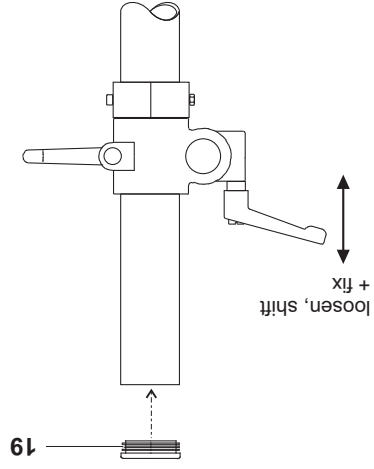


Insert the lower end of the pipe in the clamps on the wall and tighten the clamps.



In potentially explosive areas:

Ground the mounting stand pipe with the aid of the grounding clamp provided (18) according to valid regulations.



Technical data

Dimensions		Materials	
Column height	970 mm	Pos.	Designation
Column diameter	50 mm	Material	
1	Weld-on plate	Stainless steel 1.4301 (V2A)	
2	Wood screw Ø 6 x 50	Stainless steel 1.4301 (V2A)	
3	Washer 6.4	Stainless steel 1.4301 (V2A)	
4	Dowel, size 10	Polypropylene	
5	Clamp body	Aluminum	
6	Lock washer 6.1	Stainless steel 1.4301 (V2A)	
7	Cheese head screw M6 x 60	Stainless steel 1.4301 (V2A)	
8	Clamp body	Polypropylene	
9	Cheese head screw M5 x 60	Stainless steel 1.4301 (V2A)	
10	Washer 6.4	Stainless steel 1.4301 (V2A)	
11	Nut M5	Stainless steel 1.4301 (V2A)	
12	Cross-clamping piece MS/KK 170	Aluminum alloy AISI12	
13	Clamping lever M8 x 40	Zinc die cast, coated	
14	Clamping wedge without thread	Stainless steel 1.4301 (V2A)	
15	Threaded clamping wedge	Stainless steel 1.4301 (V2A)	
16	Clamping lever M8 x 50	Zinc die cast, coated	
17	Pipe	Stainless steel 1.4301 (V2A)	
18	Grounding clamp	Bronze, tin-plated and steel, zinc-plated	
19	Lamellar plug	Polyethylene (LD-PE)	